

## Embedded Solutions



## SATA III M.2 SSDs MTS862K

Featuring the SATA III 6Gb/s interface and utilizing Transcend's SLC Mode flash optimization technology, Transcend's MTS862K M.2 SSD delivers incredible cost performance and SLC-grade reliability in a compact M.2 form factor. It is ideal for high-performance computing and for embedded verticals where space is a concern, fully addressing the requirements of small form factor systems. The MTS862K M.2 SSD is built with DRAM cache for reliable speeds, outstanding cache performance, and firmware optimization capability for even greater flexibility.

### Hardware Features

- Compliant with RoHS 2.0 standards
- Space-saving M.2 form factor (80mm) – ideal for mobile computing devices
- DDR3 DRAM Cache embedded
- High-quality MLC NAND flash and SLC mode (also called SuperMLC) for exceptional endurance and reliability
- Power Shield (PS) to ensure data transfer integrity and minimize data corruption in the drive during an abnormal power outage

### Firmware Features

- Supports S.M.A.R.T. function to conduct health monitoring, analysis, and reporting for storage devices
- TRIM command for better performance
- NCQ command for better performance
- Power-saving DevSleep (Device Sleep) mode
- Security Command

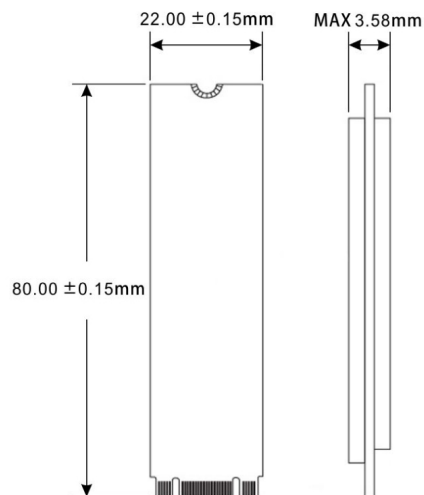
### Ordering Information

|      |              |
|------|--------------|
| 16GB | TS16GMTS862K |
| 32GB | TS32GMTS862K |

## Specifications

|                              |   |   |
|------------------------------|---|---|
| <b>Appearance</b>            | Dimensions                              | 80.0 mm x 22.0 mm x 3.58 mm (3.15" x 0.87" x 0.14") |
|                              | Weight                                  | 9 g (0.32 oz)                                       |
|                              | M.2 Type                                | 2280-D2-B-M (Double-sided)                          |
|                              | Form Factor                             | M.2 2280  |
| <b>Interface</b>             | Bus Interface                           | SATA III 6Gb/s                                      |
| <b>Storage</b>               | Capacity                                | 16 GB / 32 GB                                       |
|                              | Flash Type                              | MLC NAND flash (SLC mode)                           |
| <b>Operating Environment</b> | Operating Voltage                       | 3.3V±5%   |
|                              | Operating Temperature                   | Standard Temp.<br>0°C (32°F) ~ 70°C (158°F)         |
|                              | Storage Temperature                     | -40°C (-40°F) ~ 85°C (185°F)                        |
|                              | Humidity                                | 5% ~ 95%  |
|                              | Shock                                   | 1500 G, 0.5 ms, 3 axis                              |
|                              | Vibration (Operating)                   | 20 G (peak-to-peak), 7 Hz ~ 2,000 Hz (frequency)    |
| <b>Power</b>                 | Power Consumption (Operation)           | 1.91 watt(s)  |
|                              | Power Consumption (IDLE)                | 0.33 watt(s)  |
| <b>Performance</b>           | Sequential Read/Write (CrystalDiskMark) | Read: Up to 530 MB/s<br>Write: Up to 150 MB/s       |
|                              | 4K Random Read/Write (IOmeter)          | Read: Up to 65,000 IOPS<br>Write: Up to 60,000 IOPS |
|                              | Mean Time Between Failures (MTBF)       | 3,000,000 hour(s)                                   |
|                              | Terabytes Written (TBW)                 | Up to 580 TBW                                       |
|                              | Drive Writes Per Day (DWPD)             | 14.8 (3 yrs)  |
| <b>Warranty</b>              | Certificate                             | CE / UKCA / FCC / BSMI                              |
|                              | Warranty                                | Three-year Limited Warranty                         |

## Mechanical Dimensions



Product specifications are subject to change without notice. Pictures shown may differ from actual products. Total accessible capacity varies depending on operating environment. Due to the complexity and variety of industrial applications, Transcend cannot guarantee 100% compatibility with all platforms and under all scenarios. For special applications and environments, it is strongly suggested that you contact Transcend beforehand for clarification.